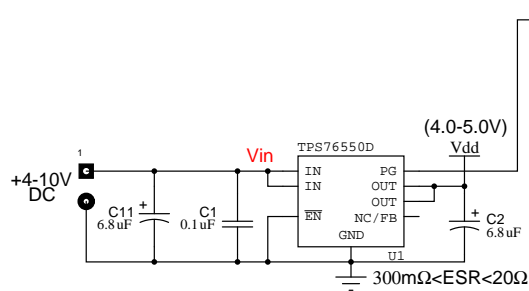


Power Supply

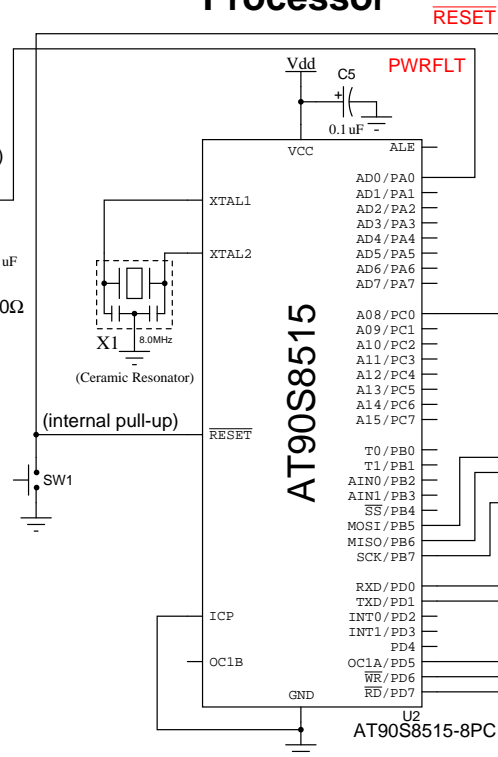


for 15mA load:

9V alkaline gives 45h operation
 4xAAA gives 68h operation
 4xAA gives 150h operation

TPS76550D: \$1.90 / \$1.52
 AT90S8515-8PC: \$8.39 / \$6.20
 MAX3162CAI: \$8.50 / \$7.20

Processor



Transceivers

