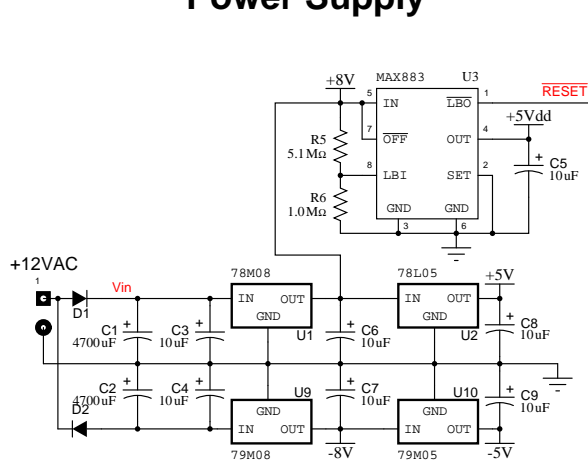
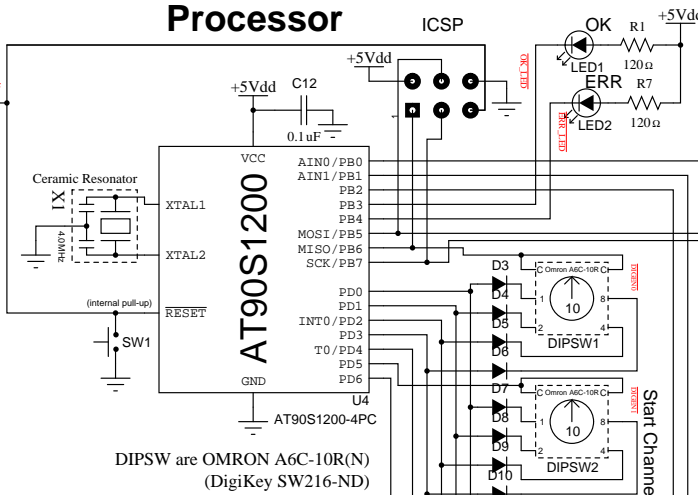


Power Supply

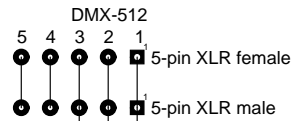
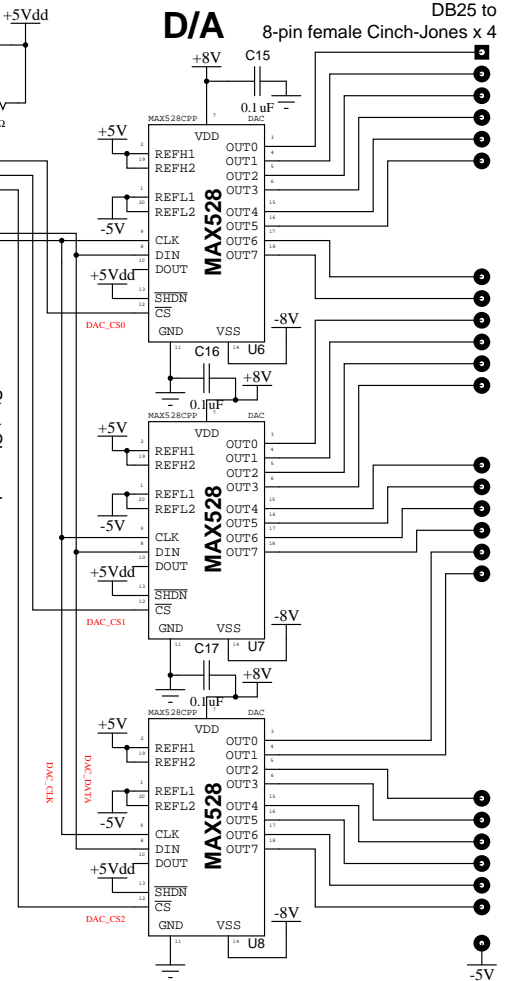


Processor

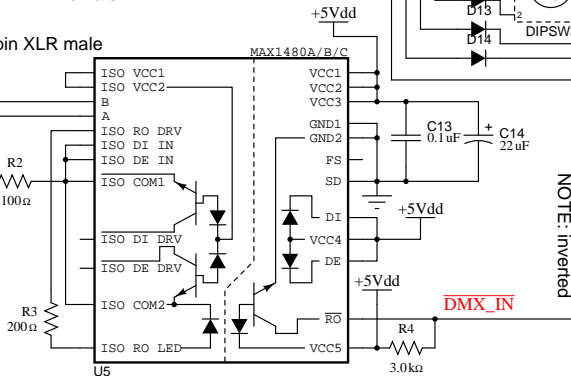


DIPSWs are OMRON A6C-10R(N)
(DigiKey SW216-ND)

D/A



Termination is a 120Ω resistor between pins 2&3 and 4&5.



Isolated Transceiver